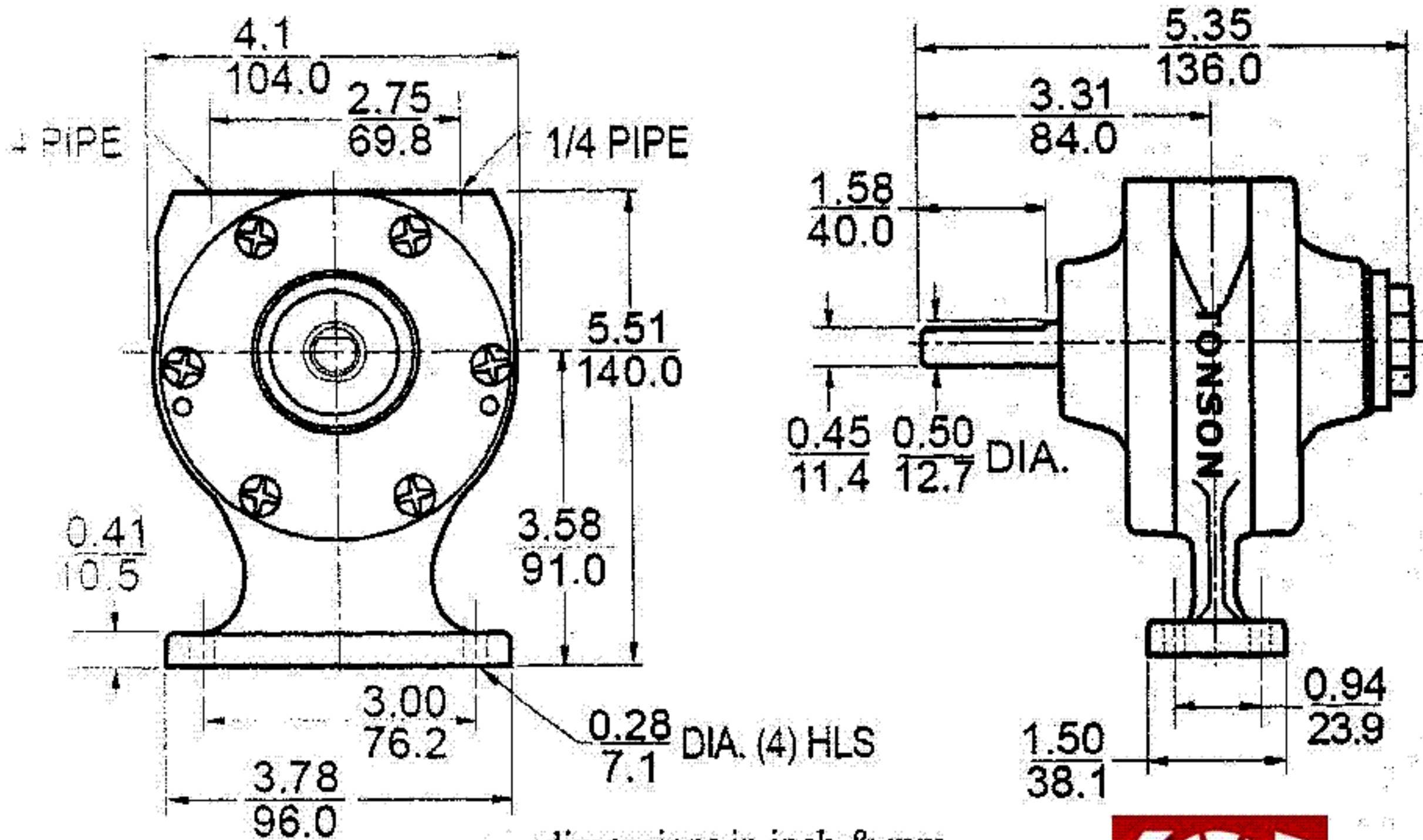


V2-L

TONSON VANE AIR MOTORS

Foot Mounting



dimensions in inch & mm

