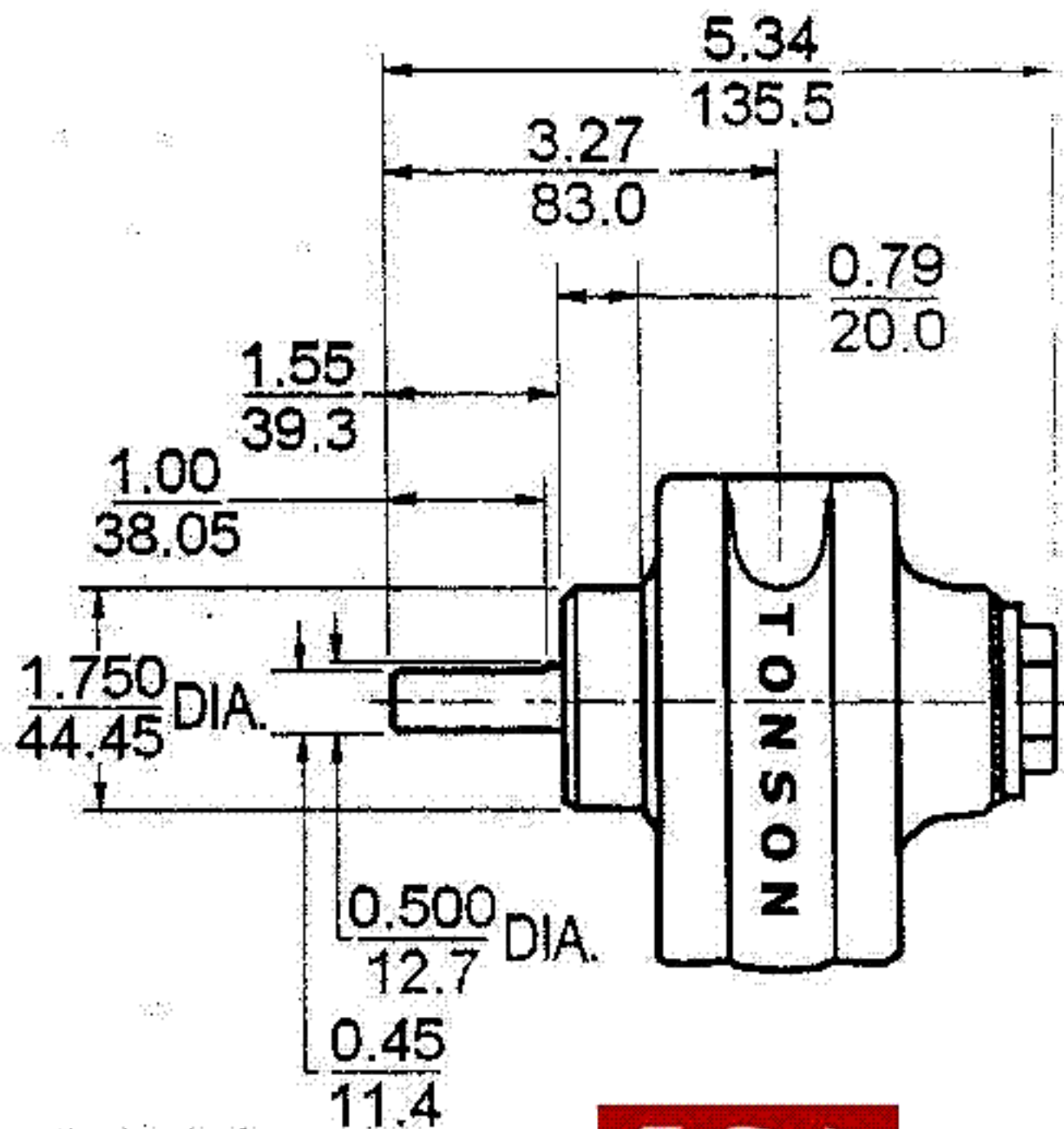
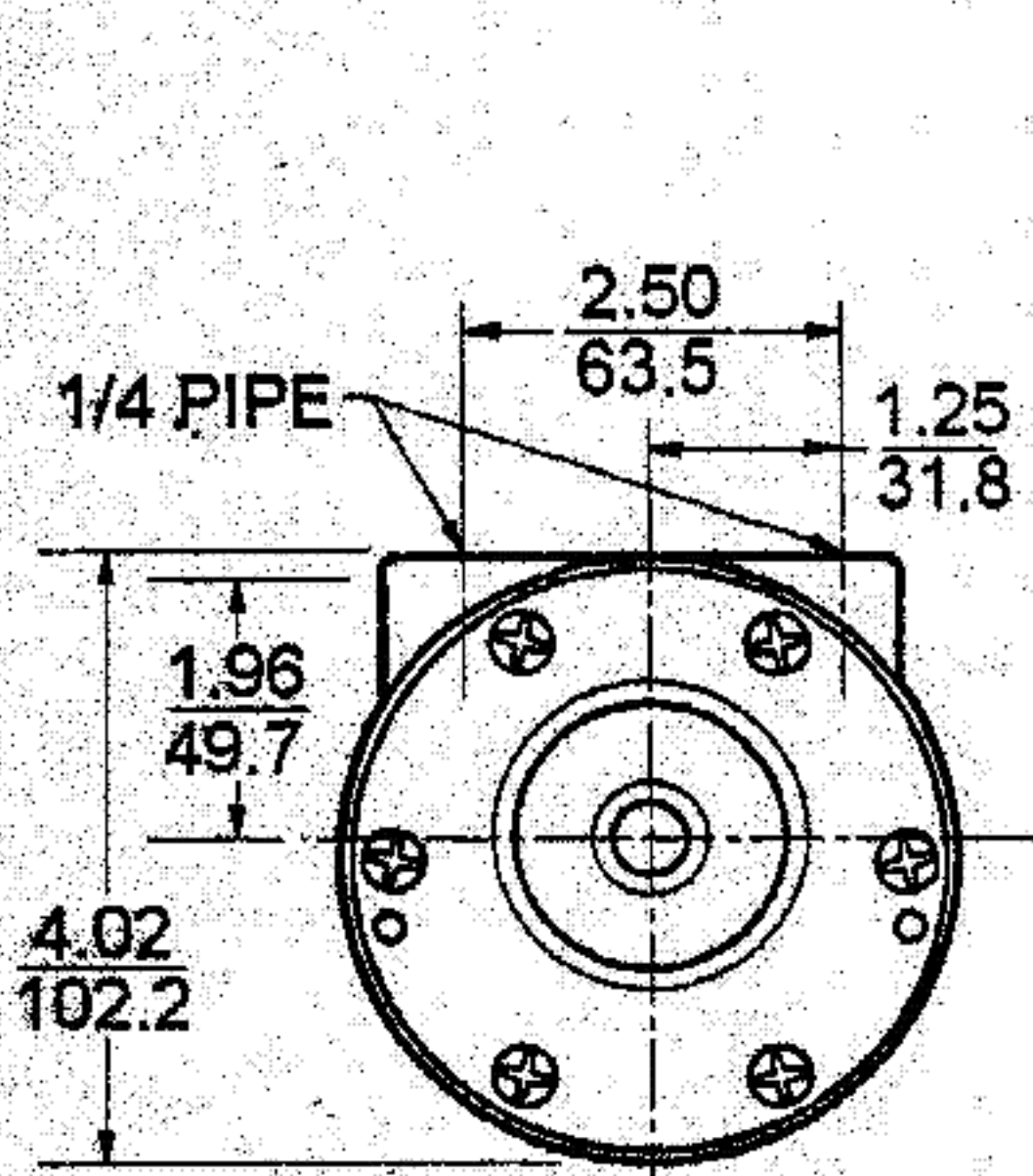


# V2-F **TONSON** VANE AIR MOTORS

## Face Mounting



All dimensions in inch & mm

**TONSON**

