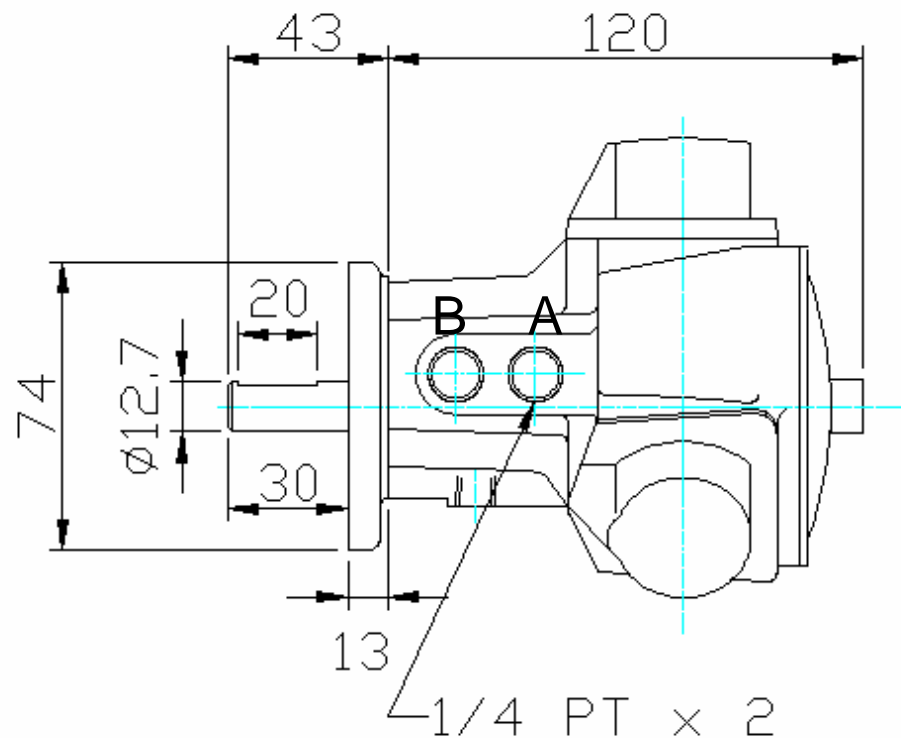
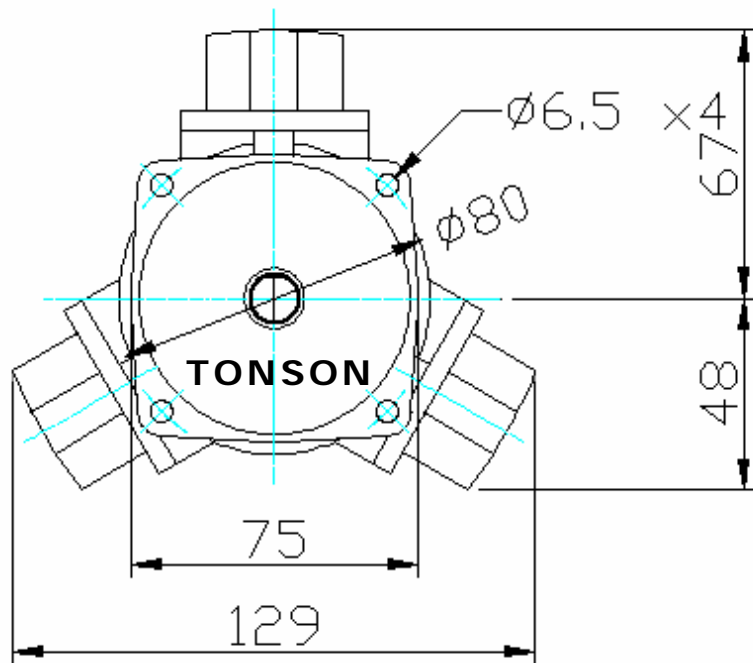


# M1-F

## PISTON AIR MOTORS

1/8 HP 0.64 N·m 1,100 RPM



A Port – Clockwise Rotation

B Port – Counterclockwise Rotation

All dimensions in mm