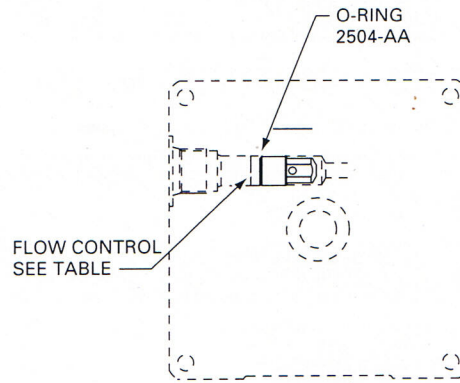


# Pressure Compensated Flow Control Valves



## FLOW CONTROLS



Part No.	Nominal Flow	
	gpm	l/m
SKFC2	0.5	1.9
SKFC4	1.0	3.8
SKFC6	1.5	5.7
SKFC8	2.0	7.6

# Cetop Valves

A simple adaptor bolted to the end head provides mounting for Cetop valves (Micropack does not require adaptor).

The valve options below are available for both manual and solenoid operation.

Other configurations are available.

