



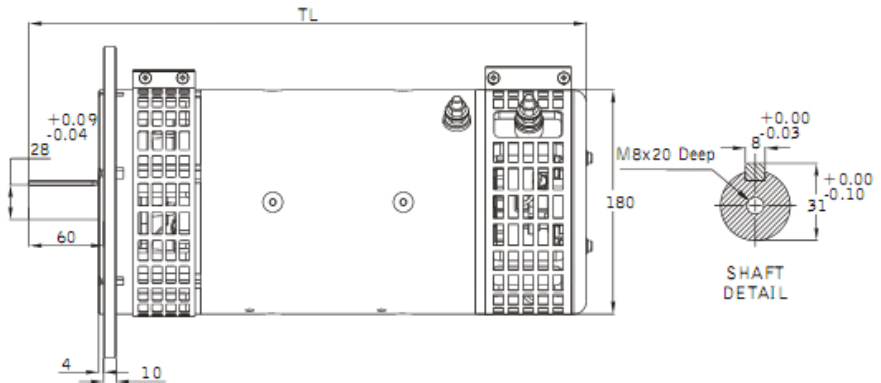
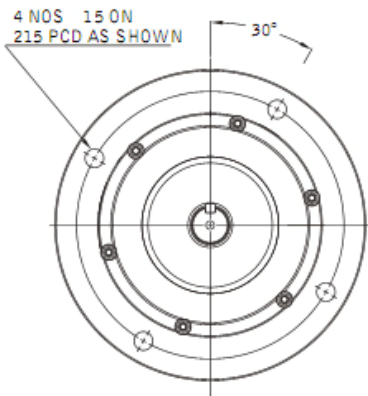
SAMT A Div Of TONSON Pty. Ltd.

*“Exclusive Techniques Innovative Ideas”*

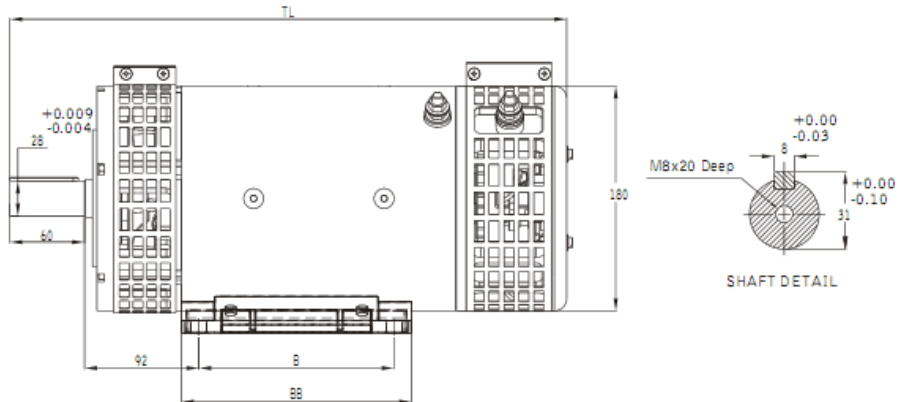
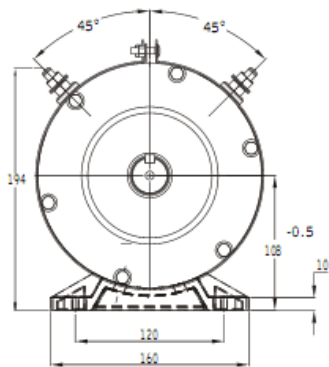
**DCHW-Series Traction DC Motors – Upto 11kW**



**Flange Mounted**



**Foot Mounted**



*Dimensions: DCHW – Series Traction DC Motors*

[www.samt.com.au](http://www.samt.com.au)

*Air Motors – Air Mixers – Air Fans – AC Motors – DC Motors – Industrial Gearboxes*



**SAMT A Div Of TONSON Pty. Ltd.**

**“Exclusive Techniques Innovative Ideas”**

SPECIFICATIONS OF SPDP MOTORS													
Frame Size	H.P	Current at different armature voltage (Amps)			Speed (RPM)	Duty Cycle	Direction	Dimensions			Type	Protection	Weight (Kgs)
		36 V	48 V	72 V				B	B-B	TL			
<b>1500 RPM MOTORS</b>													
HW1	3	80	60	40	1500	S2-1 Hr.	Bi	112	140	403	SPDP	IP-20	31
HW2	5	130	95	65	1500	S2-1 Hr.	Bi	157	185	455	SPDP	IP-20	38
HW3	10	-	195	130	1500	S2-1 Hr.	Bi	202	230	500	SPDP	IP-20	45
HW4	15	-	-	195	1500	S2-1 Hr.	Bi	202	230	545	SPDP	IP-20	52
<b>3000 RPM MOTORS</b>													
HW1	3	80	60	40	3000	S2-1 Hr.	Bi	112	140	410	SPDP	IP-20	31
HW2	5	130	95	65	3000	S2-1 Hr.	Bi	112	140	410	SPDP	IP-20	31
HW3	10	-	195	130	3000	S2-1 Hr.	Bi	157	185	455	SPDP	IP-20	38
HW4	15	-	-	195	3000	S2-1 Hr.	Bi	202	230	500	SPDP	IP-20	45

**Dimension B and B-B are for foot mounted motors only**

SPECIFICATIONS OF OPEN CASE-TENV MOTOR												
Frame Size	H.P	Current at different armature voltages (Amps)			Duty Cycle	Speed (RPM)	Protection	Insulation Class	Direction	L (mm)	Type	Weight (Kgs)
		36 V	48 V	72 V								
<b>1500 RPM MOTORS</b>												
HW1	0.75	20	15	10	S2-1 Hr.	1500	IP-44	F	BI	223	TENV	30
HW2	1.25	34	25	17	S2-1 Hr.	1500	IP-44	F	BI	268	TENV	37
HW3	2.5	65	50	34	S2-1 Hr.	1500	IP-44	F	BI	313	TENV	44
HW4	3.75	97	73	48	S2-1 Hr.	1500	IP-44	F	BI	360	TENV	51
<b>3000 RPM MOTORS</b>												
HW1	1.25	33	25	16	S2-1 Hr.	3000	IP-44	F	BI	223	TENV	30
HW2	2.5	65	49	33	S2-1 Hr.	3000	IP-44	F	BI	268	TENV	37
HW3	3.75	98	73	49	S2-1 Hr.	3000	IP-44	F	BI	313	TENV	44
HW4	5	-	97	65	S2-1 Hr.	3000	IP-44	F	BI	360	TENV	51

FOR SEPEX MOTORS the Field voltage is same as Armature voltage & Field Current is @10 % of Armature current.



*Dimensions: DCHW – Series Traction DC Motors*

[www.samt.com.au](http://www.samt.com.au)

*Air Motors – Air Mixers – Air Fans – AC Motors – DC Motors – Industrial Gearboxes*