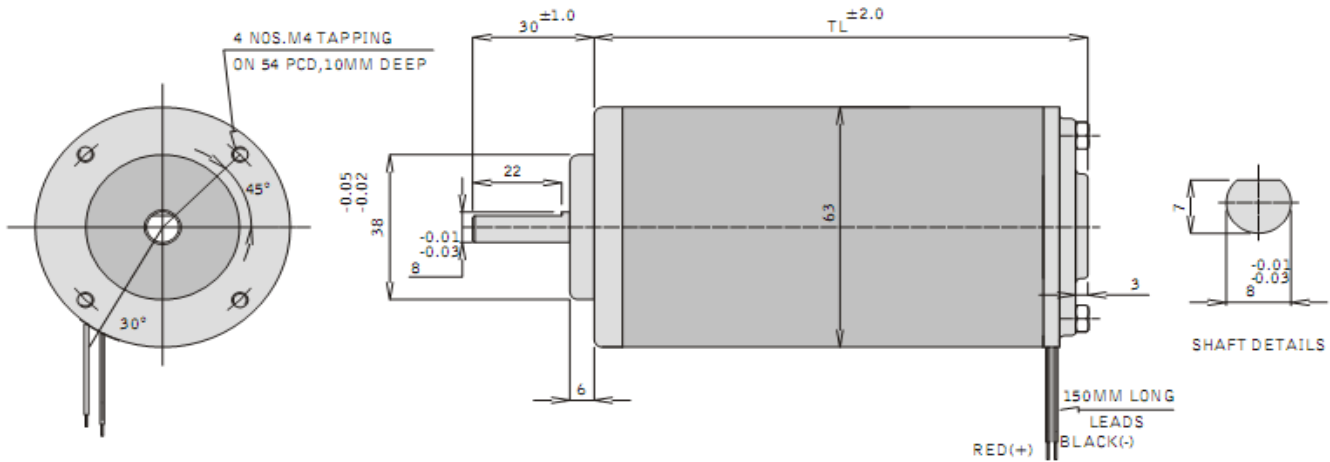




**SAMT A Div Of TONSON Pty. Ltd.**

*“Exclusive Techniques Innovative Ideas”*

**DCR-Series Mini DC Motors – Upto 100Watts**



**SPECIFICATIONS**

H. P./Watts	Frame Size	Volts		Current (Amps)		TL	Torque (Kg.cm)	Mounting	Type	Ins. Class	Protection	Duty	Weight (kg)
		V1	V2	I1	I2								
<b>1500 RPM MOTORS</b>													
0.02/15	R0	12	24	1.5	0.8	88	1.0	Face	TENV	F	IP-44	S1	1.0
0.04/30	R1	12	24	3.3	1.6	122	2.0	Foot/Face	TENV	F	IP-44	S1	1.4
0.06/50	R2	12	24	5.2	2.6	152	3.0	Foot/Face	TENV	F	IP-44	S1	1.9
<b>3000 RPM MOTORS</b>													
0.04/30	R0	12	24	3.3	1.6	88	1.0	Face	TENV	F	IP-44	S1	1.0
0.08/60	R1	12	24	6.0	3.0	122	2.0	Foot/Face	TENV	F	IP-44	S1	1.4
0.13/100	R2	12	24	10.4	5.2	152	3.0	Foot/Face	TENV	F	IP-44	S1	1.9

Base plate available only on request. Also available in 36 & 48 Volts.



*Dimensions: DCR – Series Mini DC Motors*

[www.samt.com.au](http://www.samt.com.au)

*Air Motors – Air Mixers – Air Fans – AC Motors – DC Motors – Industrial Gearboxes*