

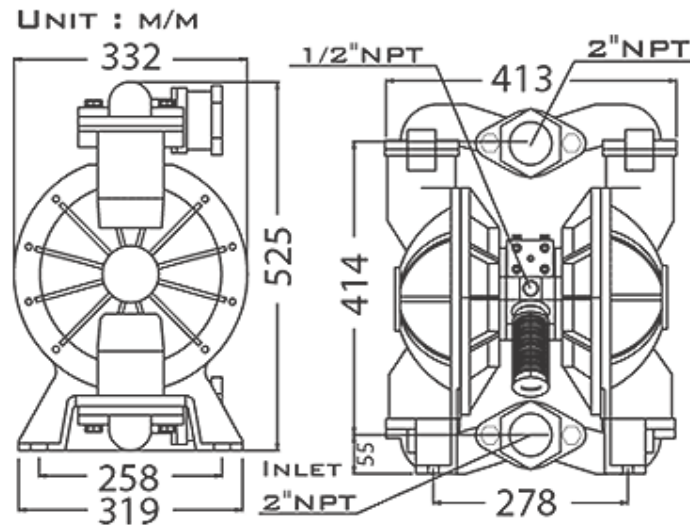


SAMT A Div Of TONSON Pty. Ltd.

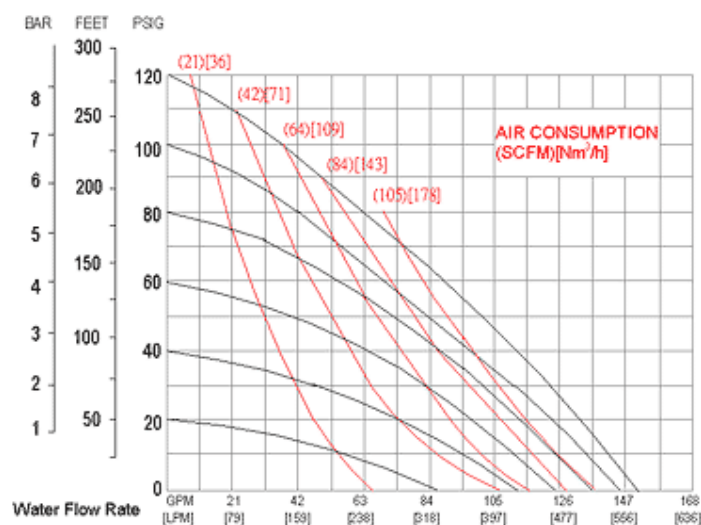
*“Exclusive Techniques Innovative Ideas”*

## S-50 (2 Inch) SS316 Air Pump

### Dimensions:



### Performance Curve:



S-50 (2 Inch) SS316 Air Pump Specifications

[www.samt.com.au](http://www.samt.com.au)

Air Motors – Air Mixers – Air Fans – AC Motors – DC Motors – Industrial Gearboxes



**SAMT A Div Of TONSON Pty. Ltd.**

***“Exclusive Techniques Innovative Ideas”***

**Specifications:**

| Inlet/Outlet                         | 2" NPT   |          |                  |         |                |            |                  |     |                |               |                |       |                 |
|--------------------------------------|--|----------|------------------|---------|----------------|------------|------------------|-----|----------------|---------------|----------------|-------|-----------------|
| Air Inlet                            | 1/2" NPT   |          |                  |         |                |            |                  |     |                |               |                |       |                 |
| Max. Air Supply Pressure             | 8.3 bar ; 125psi   |          |                  |         |                |            |                  |     |                |               |                |       |                 |
| Min. Pressure for Starting Air Valve | 1.3 bar  |          |                  |         |                |            |                  |     |                |               |                |       |                 |
| Max Flow Rate                        | 154.84 G .P.M.; 580 LPM  |          |                  |         |                |            |                  |     |                |               |                |       |                 |
| Max. Size Solid                      | Ø 1/4" (6.4mm)   |          |                  |         |                |            |                  |     |                |               |                |       |                 |
| Max. Air Consumption                 | 2700NL/min,95.33Scfm/Min   |          |                  |         |                |            |                  |     |                |               |                |       |                 |
| Suction Lift Capability              | 5.48 m Primed / Dry  |          |                  |         |                |            |                  |     |                |               |                |       |                 |
| Dimensions                           | A-50 : L 43 cm x W 34 cm x H 53 cm<br>S-50 : L 48 cm x W 39 cm x H 64 cm   |          |                  |         |                |            |                  |     |                |               |                |       |                 |
| Weight of Pump                       | A-50 : Aluminum Alloy : 29.5 KG<br>S-50 : Stainless Steel 316 : 54 KG  |          |                  |         |                |            |                  |     |                |               |                |       |                 |
| Materials of Non Wetted Body         | Aluminum Alloy<br>Aluminum Alloy<br>Aluminum Alloy, SUS, Cu, POMC, Teflon  |          |                  |         |                |            |                  |     |                |               |                |       |                 |
| Materials of Diaphragm, O-Ring       | <table border="1"> <thead> <tr> <th>Material</th> <th>Temperature Rang</th> </tr> </thead> <tbody> <tr> <td>UPE (U)</td> <td>+ 5 to + 60 °C</td> </tr> <tr> <td>Teflon (T)</td> <td>- 30 to + 150 °C</td> </tr> <tr> <td>NBR</td> <td>+ 5 to + 60 °C</td> </tr> <tr> <td>Santoprene(O)</td> <td>+ 5 to + 80 °C</td> </tr> <tr> <td>Viton</td> <td>+ 5 to + 260 °C</td> </tr> </tbody> </table> | Material | Temperature Rang | UPE (U) | + 5 to + 60 °C | Teflon (T) | - 30 to + 150 °C | NBR | + 5 to + 60 °C | Santoprene(O) | + 5 to + 80 °C | Viton | + 5 to + 260 °C |
| Material                             | Temperature Rang   |          |                  |         |                |            |                  |     |                |               |                |       |                 |
| UPE (U)                              | + 5 to + 60 °C   |          |                  |         |                |            |                  |     |                |               |                |       |                 |
| Teflon (T)                           | - 30 to + 150 °C   |          |                  |         |                |            |                  |     |                |               |                |       |                 |
| NBR                                  | + 5 to + 60 °C   |          |                  |         |                |            |                  |     |                |               |                |       |                 |
| Santoprene(O)                        | + 5 to + 80 °C   |          |                  |         |                |            |                  |     |                |               |                |       |                 |
| Viton                                | + 5 to + 260 °C  |          |                  |         |                |            |                  |     |                |               |                |       |                 |

**S-50 (2 Inch) SS316 Air Pump Specifications**

[www.samt.com.au](http://www.samt.com.au)

**Air Motors – Air Mixers – Air Fans – AC Motors – DC Motors – Industrial Gearboxes**



**SAMT A Div Of TONSON Pty. Ltd.**

*“Exclusive Techniques Innovative Ideas”*

**Materials Specifications:**

|                                |              |           |   |                                 |                            |
|--------------------------------|--------------|-----------|---|---------------------------------|----------------------------|
| XX                             | 50           | (NV)      | XX  | X                               | X                          |
| Body Wetted                    | Inlet/Outlet | Air Valve | Diaphragm                                       | Ball Valve                      | Ball Valve Seat            |
| A- Aluminum Alloy<br>S- SUS316 | 50: 2"       |           | O-: Santoprene<br>E-: Santoprene<br>(Food-used) | T: Teflon®<br>N: Phenolic Resin | O: Santoprene<br>S: SUS316 |



*S-50 (2 Inch) SS316 Air Pump Specifications*

[www.samt.com.au](http://www.samt.com.au)

*Air Motors – Air Mixers – Air Fans – AC Motors – DC Motors – Industrial Gearboxes*