

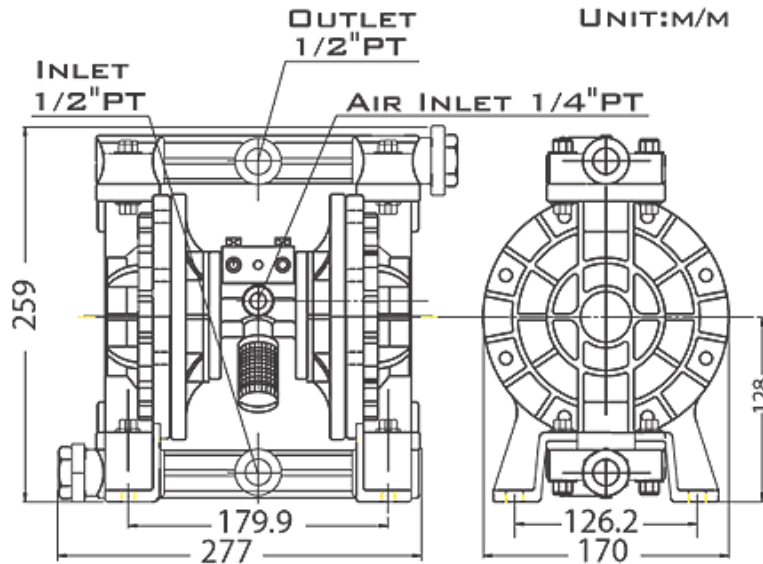


SAMT A Div Of TONSON Pty. Ltd.

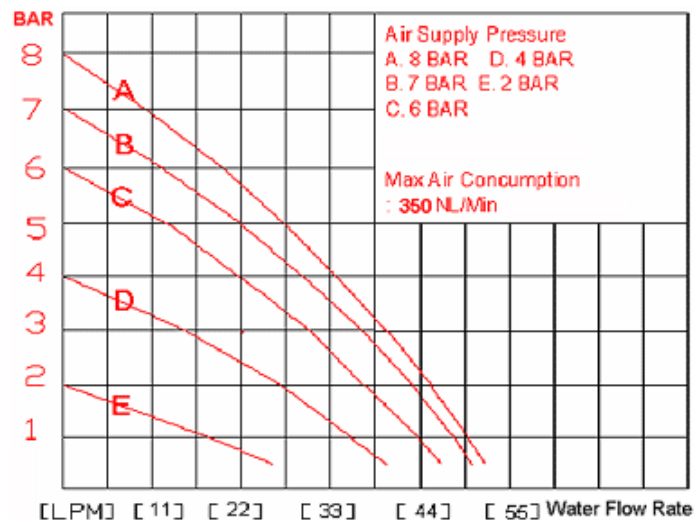
“Exclusive Techniques Innovative Ideas”

PP-20 (1/2 Inch) Polypropylene (Plastic) Air Pump

Dimensions:



Performance Curve:



PP-20 (1/2 Inch) Alloy Air Pump Specifications

www.samt.com.au

Air Motors – Air Mixers – Air Fans – AC Motors – DC Motors – Industrial Gearboxes



SAMT A Div Of TONSON Pty. Ltd.

“Exclusive Techniques Innovative Ideas”

Specifications:

Inlet/Outlet	1/2 "NPT												
Air Inlet	1/4 "NPT												
Max. Air Supply Pressure	7 bar ; 100psi												
Min. Pressure for Starting Air Valve	1.2 Bar(kg /cm ²)												
Max Flow Rate	12.76 G .P.M.; 48 LPM												
Max Speed	400 cpm												
Flow of each cycle	0.15 L												
Max. Size Solid	Ø3/32" (2.4mm)												
Max. Air Consumption	350NL/Min, 12.35Scfm/Min												
Suction Lift Capability	6.4 m Primed ; 3.7m Dry												
Dimensions	L 29 cm x W 19 cm x H 31 cm												
Weight of Pump	PP20 : Polypropylene : 4.0KG												
Materials of Non Wetted Body	Aluminum Alloy Aluminum Alloy Aluminum Alloy, SUS, Cu, POMC, Teflon												
Materials of Diaphragm, O-Ring	<table border="0"> <thead> <tr> <th>Material</th> <th>Temperature Rang</th> </tr> </thead> <tbody> <tr> <td>UPE (U)</td> <td>+ 5 to + 60 °C</td> </tr> <tr> <td>Teflon (T)</td> <td>- 30 to + 150 °C</td> </tr> <tr> <td>NBR</td> <td>+ 5 to + 60 °C</td> </tr> <tr> <td>Santoprene(O)</td> <td>+ 5 to + 80 °C</td> </tr> <tr> <td>Viton</td> <td>+ 5 to + 260 °C</td> </tr> </tbody> </table>	Material	Temperature Rang	UPE (U)	+ 5 to + 60 °C	Teflon (T)	- 30 to + 150 °C	NBR	+ 5 to + 60 °C	Santoprene(O)	+ 5 to + 80 °C	Viton	+ 5 to + 260 °C
Material	Temperature Rang												
UPE (U)	+ 5 to + 60 °C												
Teflon (T)	- 30 to + 150 °C												
NBR	+ 5 to + 60 °C												
Santoprene(O)	+ 5 to + 80 °C												
Viton	+ 5 to + 260 °C												

PP-20 (1/2 Inch) Alloy Air Pump Specifications

www.samt.com.au

Air Motors – Air Mixers – Air Fans – AC Motors – DC Motors – Industrial Gearboxes



SAMT A Div Of TONSON Pty. Ltd.

“Exclusive Techniques Innovative Ideas”

Materials Specifications:

XX	20	(AV)	XX	X	X
Body Wetted	Inlet/Outlet	Air Valve	Diaphragm	Ball Material	Ball Seat Material
PP : Polypropylene	20: 1/ 2"		TO: Teflon ® + Santoprene O-: Santoprene	T: Teflon ®	P : Polypropylene M : POM



PP-20 (1/2 Inch) Alloy Air Pump Specifications

www.samt.com.au

Air Motors – Air Mixers – Air Fans – AC Motors – DC Motors – Industrial Gearboxes