

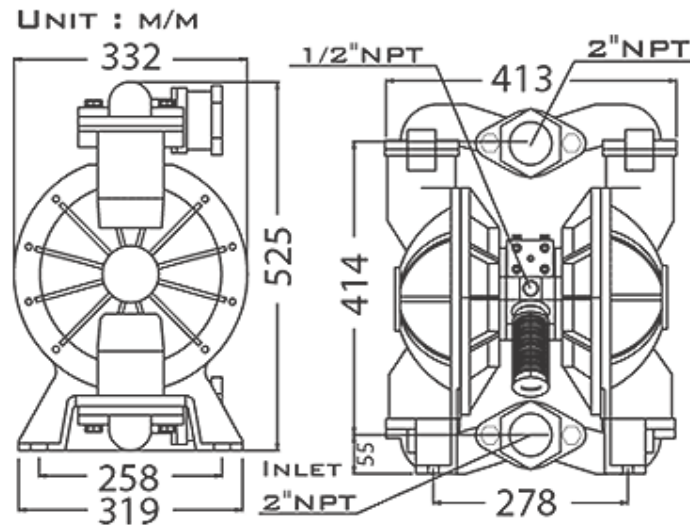


SAMT A Div Of TONSON Pty. Ltd.

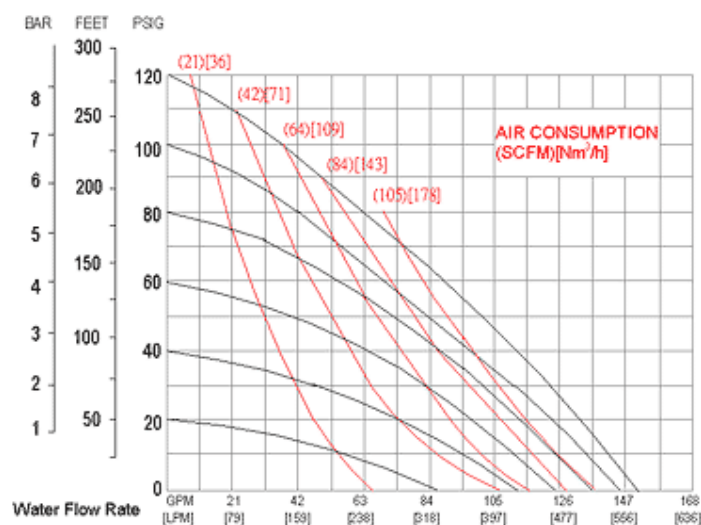
“Exclusive Techniques Innovative Ideas”

A-50 (2 Inch) Aluminum Alloy Air Pump

Dimensions:



Performance Curve:



A-50 (2 Inch) Alloy Air Pump Specifications

www.samt.com.au

Air Motors – Air Mixers – Air Fans – AC Motors – DC Motors – Industrial Gearboxes



SAMT A Div Of TONSON Pty. Ltd.

“Exclusive Techniques Innovative Ideas”

Specifications:

Inlet/Outlet	2" NPT												
Air Inlet	1/2" NPT												
Max. Air Supply Pressure	8.3 bar ; 125psi												
Min. Pressure for Starting Air Valve	1.3 bar												
Max Flow Rate	154.84 G .P.M.; 580 LPM												
Max. Size Solid	Ø 1/4" (6.4mm)												
Max. Air Consumption	2700NL/min,95.33Scfm/Min												
Suction Lift Capability	5.48 m Primed / Dry												
Dimensions	A-50 : L 43 cm x W 34 cm x H 53 cm S-50 : L 48 cm x W 39 cm x H 64 cm												
Weight of Pump	A-50 : Aluminum Alloy : 29.5 KG S-50 : Stainless Steel 316 : 54 KG												
Materials of Non Wetted Body	Aluminum Alloy Aluminum Alloy Aluminum Alloy, SUS, Cu, POMC, Teflon												
Materials of Diaphragm, O-Ring	<table border="1"> <thead> <tr> <th>Material</th> <th>Temperature Rang</th> </tr> </thead> <tbody> <tr> <td>UPE (U)</td> <td>+ 5 to + 60 °C</td> </tr> <tr> <td>Teflon (T)</td> <td>- 30 to + 150 °C</td> </tr> <tr> <td>NBR</td> <td>+ 5 to + 60 °C</td> </tr> <tr> <td>Santoprene(O)</td> <td>+ 5 to + 80 °C</td> </tr> <tr> <td>Viton</td> <td>+ 5 to + 260 °C</td> </tr> </tbody> </table>	Material	Temperature Rang	UPE (U)	+ 5 to + 60 °C	Teflon (T)	- 30 to + 150 °C	NBR	+ 5 to + 60 °C	Santoprene(O)	+ 5 to + 80 °C	Viton	+ 5 to + 260 °C
Material	Temperature Rang												
UPE (U)	+ 5 to + 60 °C												
Teflon (T)	- 30 to + 150 °C												
NBR	+ 5 to + 60 °C												
Santoprene(O)	+ 5 to + 80 °C												
Viton	+ 5 to + 260 °C												

A-50 (2 Inch) Alloy Air Pump Specifications

www.samt.com.au

Air Motors – Air Mixers – Air Fans – AC Motors – DC Motors – Industrial Gearboxes



SAMT A Div Of TONSON Pty. Ltd.

“Exclusive Techniques Innovative Ideas”

Materials Specifications:

XX	50	(NV)	XX	X	X
Body Wetted	Inlet/Outlet	Air Valve	Diaphragm	Ball Valve	Ball Valve Seat
A- Aluminum Alloy S- SUS316	50: 2"		O-: Santoprene E-: Santoprene (Food-used)	T: Teflon® N: Phenolic Resin	O: Santoprene S: SUS316



A-50 (2 Inch) Alloy Air Pump Specifications

www.samt.com.au

Air Motors – Air Mixers – Air Fans – AC Motors – DC Motors – Industrial Gearboxes