

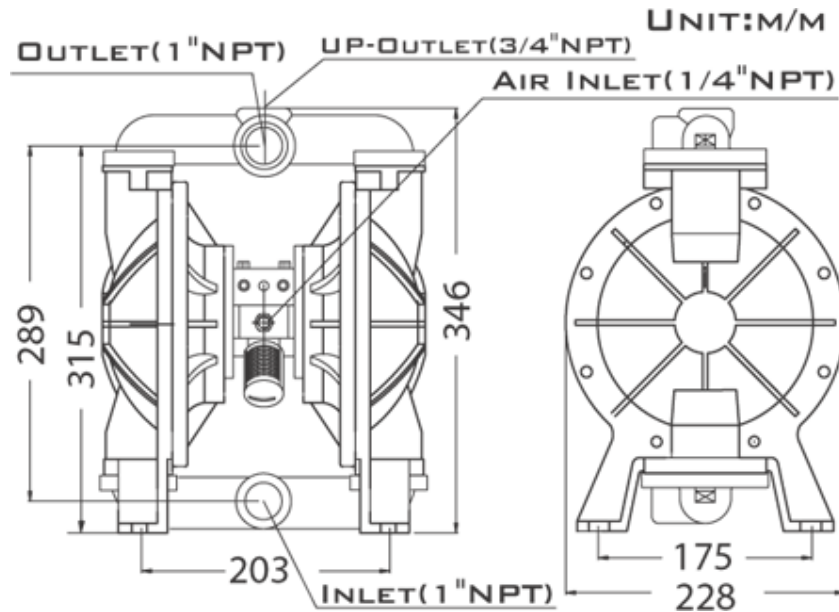


SAMT A Div Of TONSON Pty. Ltd.

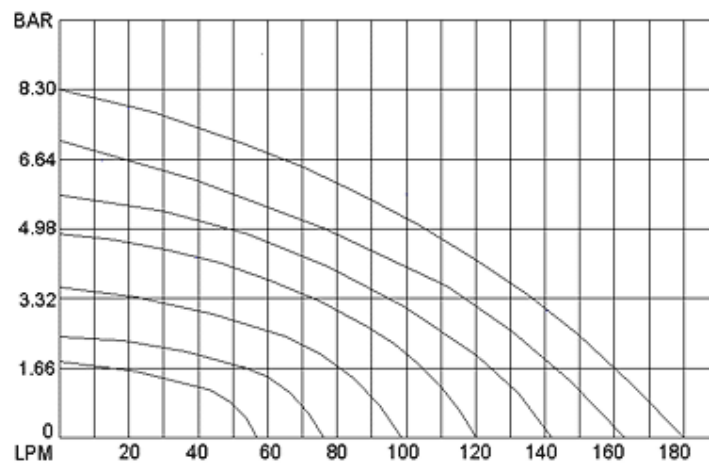
“Exclusive Techniques Innovative Ideas”

A-31 (1 Inch) Aluminum Alloy Air Pump

Dimensions:



Performance Curve:



A-31 (1Inch) Alloy Air Pump Specifications

www.samt.com.au

Air Motors – Air Mixers – Air Fans – AC Motors – DC Motors – Industrial Gearboxes



SAMT A Div Of TONSON Pty. Ltd.

“Exclusive Techniques Innovative Ideas”

Specifications:

Inlet/Outlet	1" NPT												
Air Inlet	3/8" NPT												
Max. Air Supply Pressure	8.3 bar ; 125psi												
Min. Pressure for Starting Air Valve	1.3 Bar(kg /cm ²)												
Max Flow Rate	45.19 G .P.M.: 180 LPM												
Max Speed	400 cpm												
Flow of each cycle	0.45 L /cpm												
Max. Size Solid	∅1/8" (3.2mm)												
Max. Air Consumption	960NL/Min,33.89Scfm/Min												
Suction Lift Capability	5.48 m Primed ; Dry												
Dimensions	L 30 cm x W 26 cm x H 39 cm												
Weight of Pump	A-31 : Aluminum Alloy : 9.5KG S-31 : SUS 316 : 15KG												
Materials of Non Wetted Body	Aluminum Alloy Aluminum Alloy Aluminum Alloy, SUS, Cu, POMC, Teflon												
Materials of Diaphragm, O-Ring	<table border="0"> <thead> <tr> <th>Material</th> <th>Temperature Rang</th> </tr> </thead> <tbody> <tr> <td>UPE (U)</td> <td>+ 5 to + 60 °C</td> </tr> <tr> <td>Teflon (T)</td> <td>- 30 to + 150 °C</td> </tr> <tr> <td>NBR</td> <td>+ 5 to + 60 °C</td> </tr> <tr> <td>Santoprene(O)</td> <td>+ 5 to + 80 °C</td> </tr> <tr> <td>Viton</td> <td>+ 5 to + 260 °C</td> </tr> </tbody> </table>	Material	Temperature Rang	UPE (U)	+ 5 to + 60 °C	Teflon (T)	- 30 to + 150 °C	NBR	+ 5 to + 60 °C	Santoprene(O)	+ 5 to + 80 °C	Viton	+ 5 to + 260 °C
Material	Temperature Rang												
UPE (U)	+ 5 to + 60 °C												
Teflon (T)	- 30 to + 150 °C												
NBR	+ 5 to + 60 °C												
Santoprene(O)	+ 5 to + 80 °C												
Viton	+ 5 to + 260 °C												

A-31 (1Inch) Alloy Air Pump Specifications

www.samt.com.au

Air Motors – Air Mixers – Air Fans – AC Motors – DC Motors – Industrial Gearboxes



SAMT A Div Of TONSON Pty. Ltd.

“Exclusive Techniques Innovative Ideas”

Materials Specifications:

XX	31	(NV)	XX	X	X
Body Wetted	Inlet/Outlet	Air Valve	Diaphragm	Ball Valve	Ball Valve Seat
A-: Aluminum Alloy S-: SUS316 AA Anodized Aluminum Alloy	31: 1"		TO: Teflon [®] + Santoprene UO: UPE+ Santoprene O-: Santoprene	T: Teflon [®] N: Phenolic Resin	S: SUS316 O: Santoprene



A-31 (1Inch) Alloy Air Pump Specifications

www.samt.com.au

Air Motors – Air Mixers – Air Fans – AC Motors – DC Motors – Industrial Gearboxes